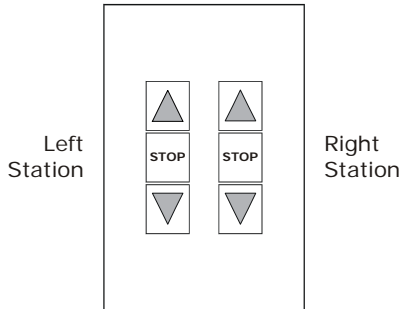
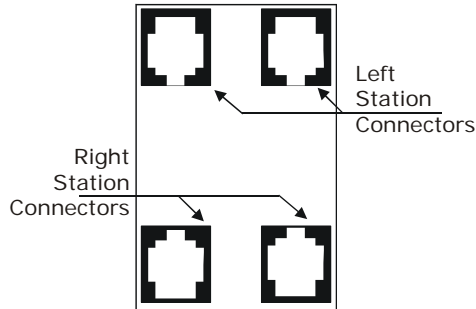


IGC Switch with Modular Connectors

Front View Top

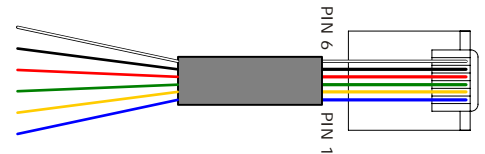


Rear View Top



COLOR	PIN #	FUNCTION
WHITE	6	UP
BLACK	5	DOWN
RED	4	not used
GREEN	3	COMMON
YELLOW	2	not used
BLUE	1	not used

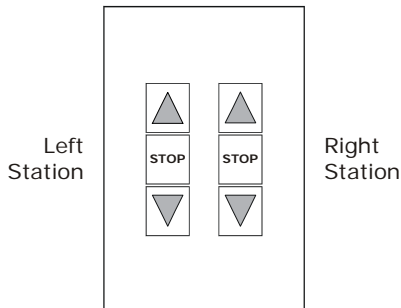
6 Position, 6 pin
Modular Connector
(RJ-15 a.k.a '6P6C')



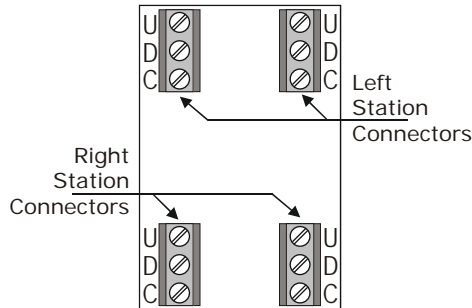
Tab facing away (down)

IGC Switch with Terminal Blocks

Front View Top



Rear View Top



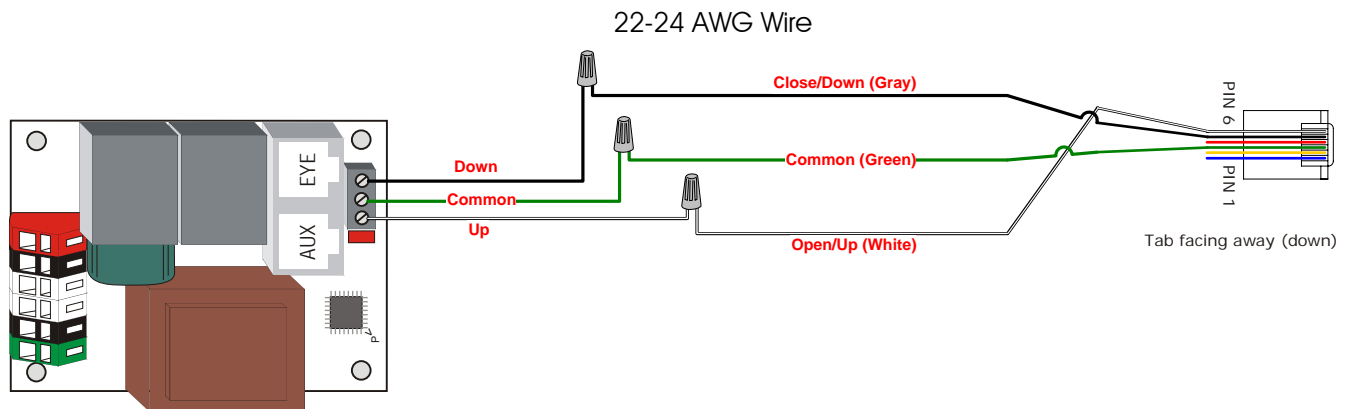
Description
Single IGC Switch (White)
Single IGC Switch (Ivory)
Dual IGC Switch (White)
Dual IGC Switch (Ivory)

Catalog Number
6300908
6300937
6300909
6300938

Description
Single IGC Switch with Terminals (White)
Single IGC Switch with Terminals (Ivory)
Dual IGC Switch with Terminals (White)
Dual IGC Switch with Terminals (Ivory)

Catalog Number
6300040
6300140
6300041
6300141

Low-voltage Three-Button Keypad wiring diagram



Electronic Solutions, Inc.

11811 Upham Street, Unit #2
Broomfield, CO 80020

VOX: +1 303.469.9322 FAX: +1 303.469.5129
www.elec-solutions.com

Title: Somfy IGC Switch to RP60xyz

Creation Date: 27 February 2006

Drawing By: David Elrod